

July 8, 1958

A. G. McNEILL

2,841,919

DETACHABLE JOINT FOR TOY HOUSE

Original Filed Oct. 21, 1952

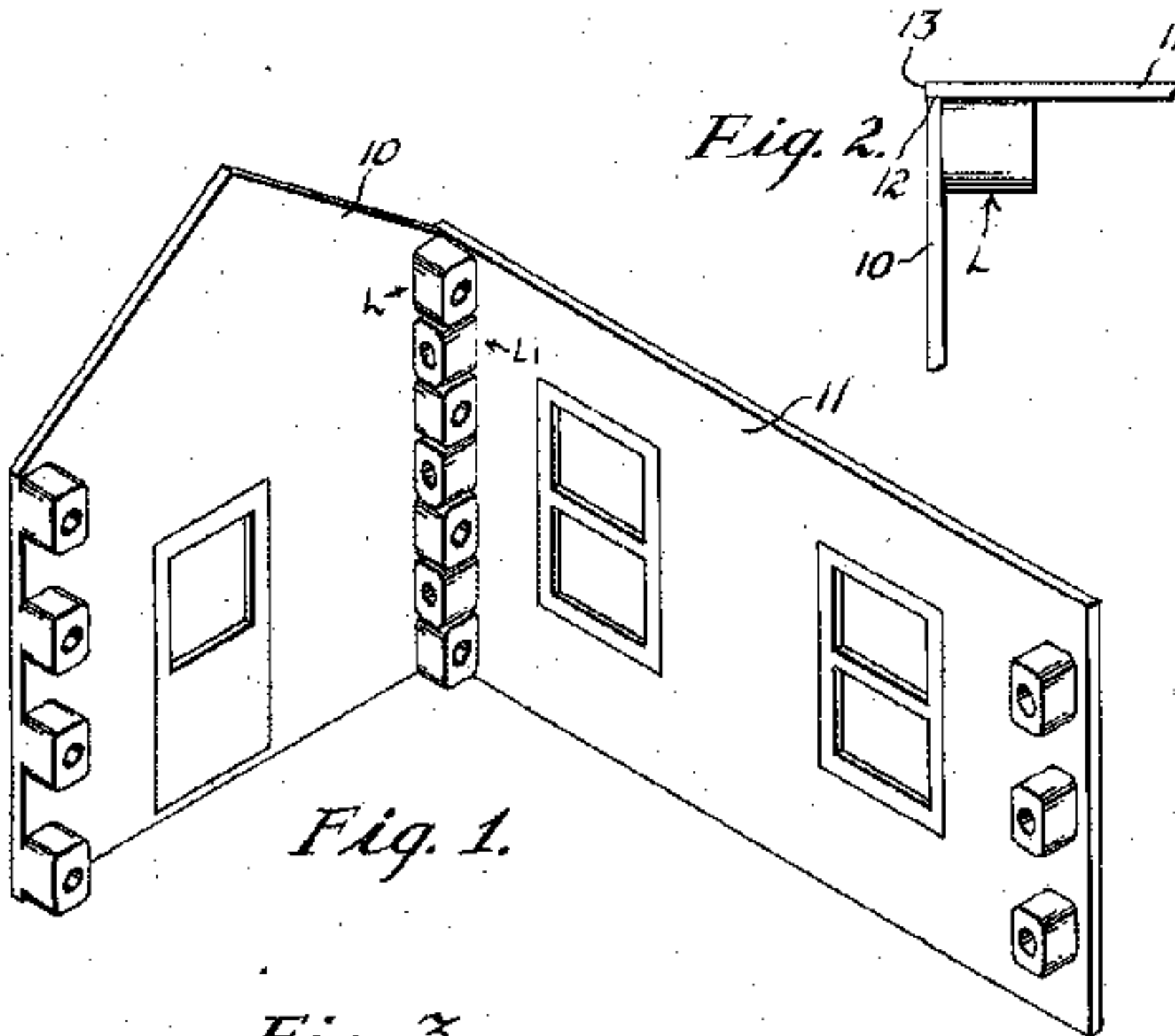


Fig. 1.

Fig. 2.

Fig. 3.

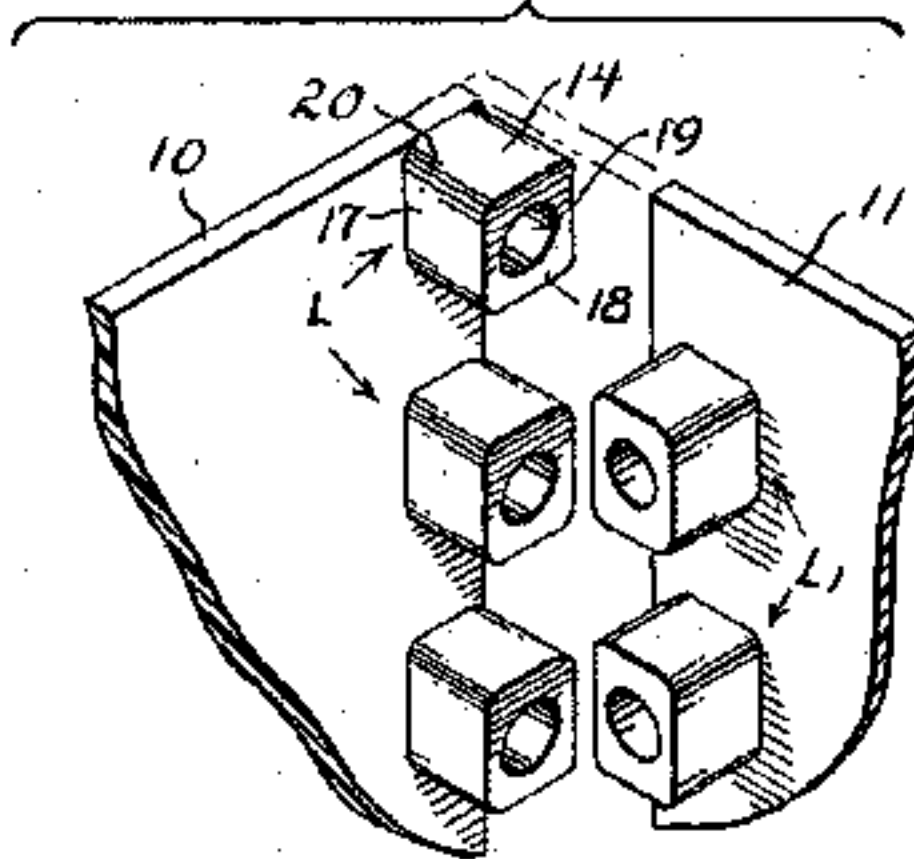
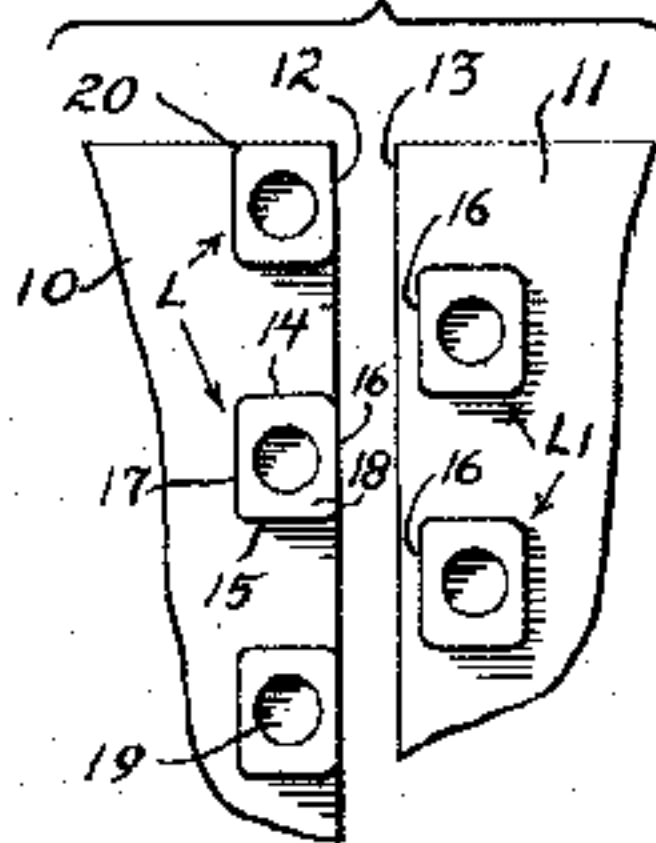


Fig. 4.



INVENTOR:

ALBERT GEORGE McNEILL

BY *Forrest G. Brune*

HIS ATTORNEYS.